

## Modular Unit Interconnection Diagram

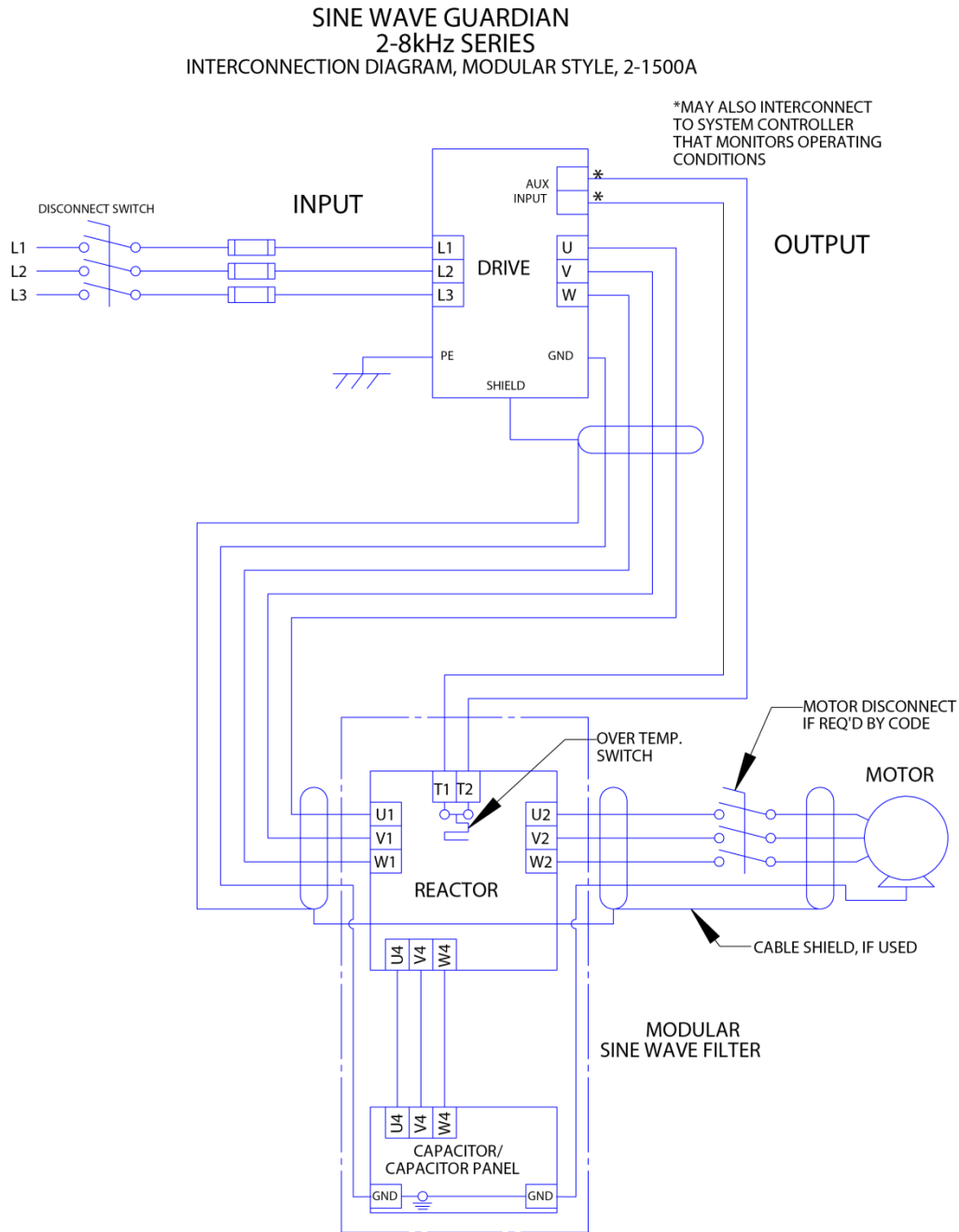


Figure 6-1: Modular Interconnection

## Enclosed Unit Interconnection Diagram

SINE WAVE GUADRIAN  
2-8kHz SERIES  
INTERCONNECTION DIAGRAM, ENCLOSED STYLE, 2-1500A

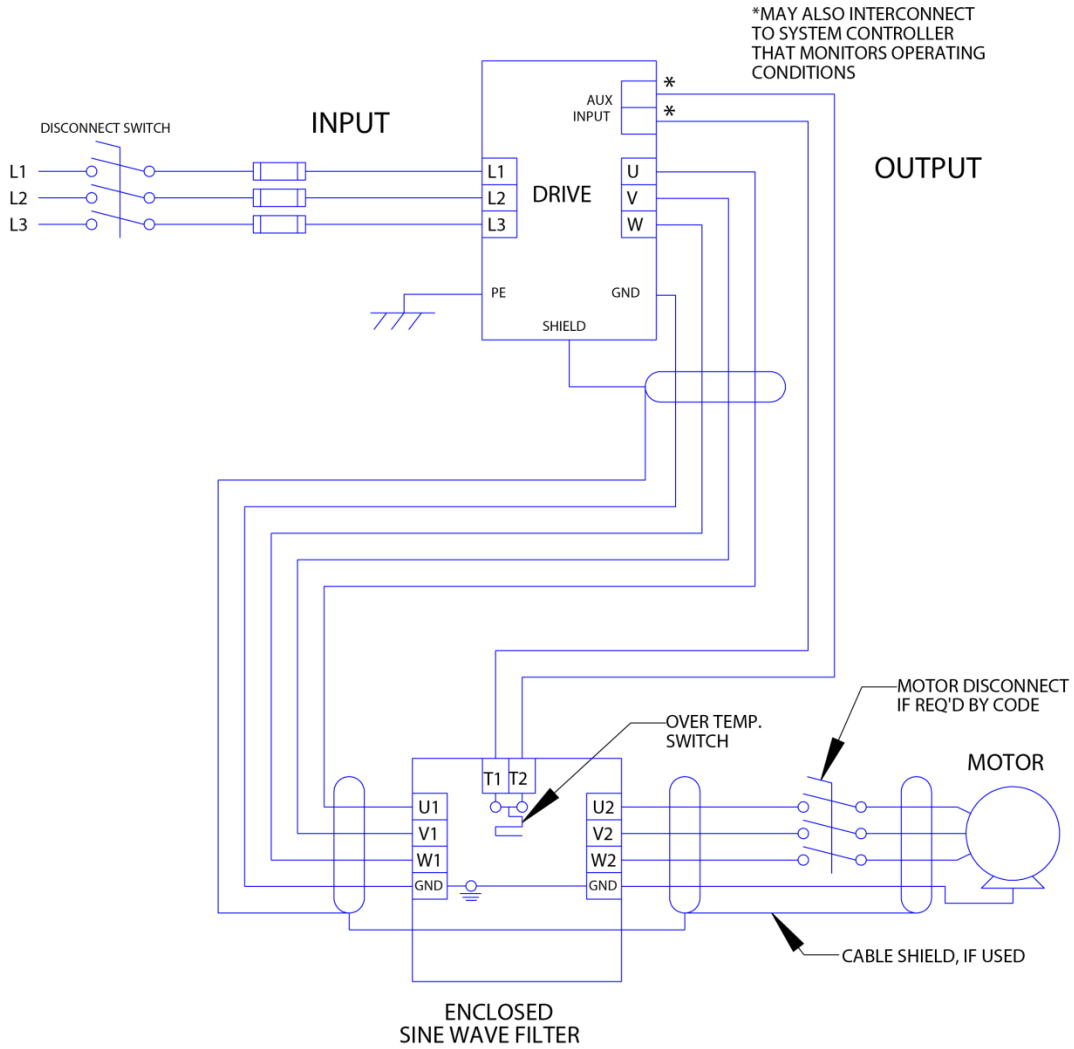


Figure 6-2: Enclosed Interconnection

### Basic Schematic Diagram

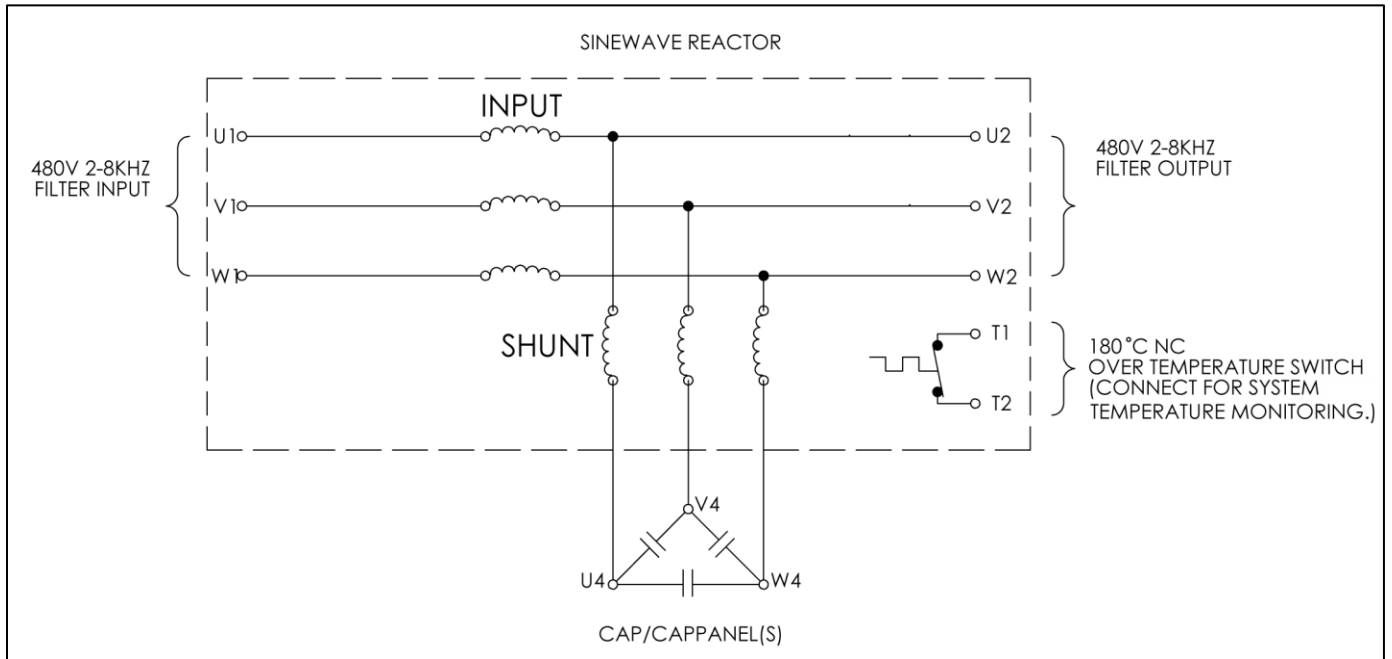


Figure 6-3: Basic Schematic Diagram

### Isolation Transformer Diagram

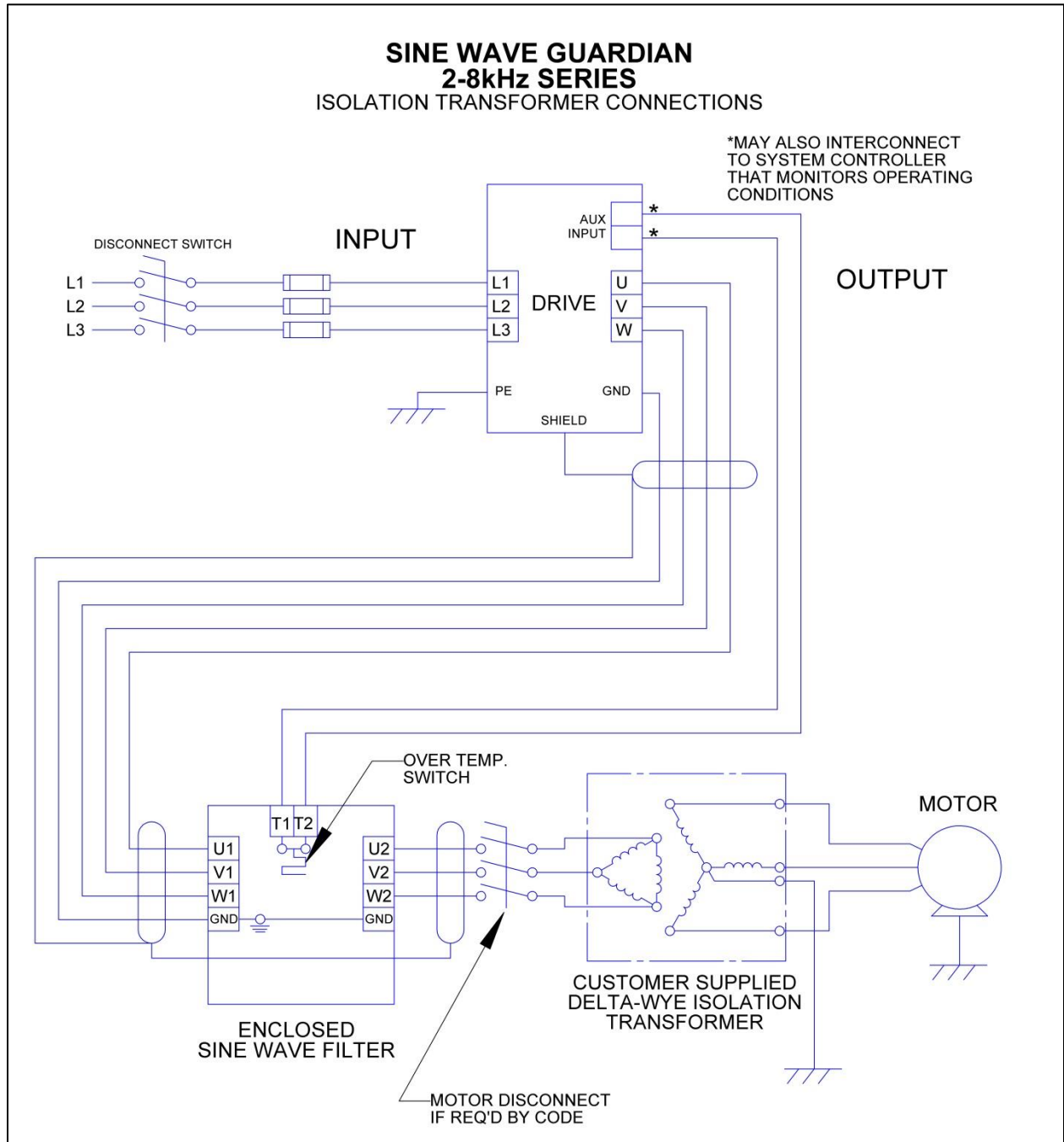


Figure 6-4: Isolation Transformer